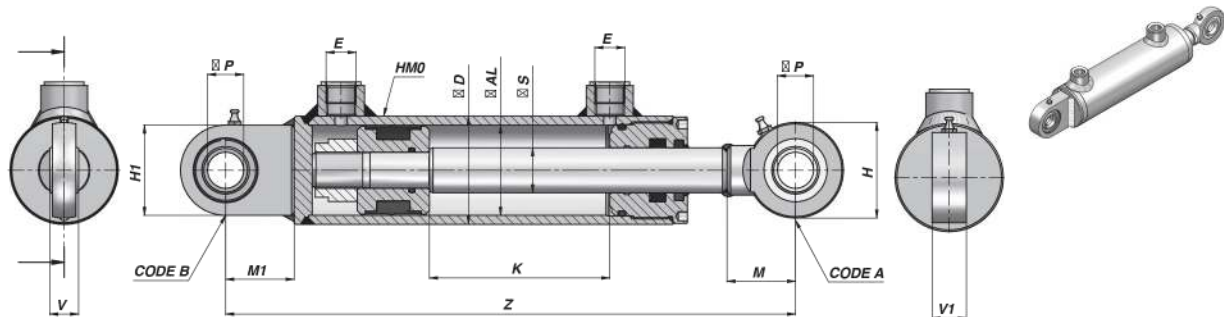


| Codice Code Bestell-Nr. | K | Z | kg | E BSP | ØP | H | V | M | H1 | V1 | M1 | Code A | Code B | Codice Code Bestell-Nr. | K | Z | kg |
|---------------------------|------|------|-------|----------|----|---|---|---|----|----|----|--------|--------|---------------------------|------|------|-------|
| ØD 42 ØAL 32 ØS 20 | | | | | | | | | | | | | | | | | |
| HMB032200050 | 50 | 225 | 1,80 | | | | | | | | | | | | | | |
| HMB032200100 | 100 | 275 | 2,10 | | | | | | | | | | | | | | |
| HMB032200150 | 150 | 325 | 2,45 | | | | | | | | | | | | | | |
| HMB032200200 | 200 | 375 | 2,80 | | | | | | | | | | | | | | |
| HMB032200250 | 250 | 425 | 3,20 | | | | | | | | | | | | | | |
| HMB032200300 | 300 | 475 | 3,50 | | | | | | | | | | | | | | |
| HMB032200400 | 400 | 575 | 4,20 | | | | | | | | | | | | | | |
| HMB032200500 | 500 | 675 | 4,90 | | | | | | | | | | | | | | |
| ØD 50 ØAL 40 ØS 20 | | | | | | | | | | | | | | ØD 50 ØAL 40 ØS 25 | | | |
| HMB1200100 | 100 | 300 | 2,77 | | | | | | | | | | | HMB1250100 | 100 | 300 | 3,00 |
| HMB1200150 | 150 | 350 | 3,17 | | | | | | | | | | | HMB1250150 | 150 | 350 | 3,45 |
| HMB1200200 | 200 | 400 | 3,55 | | | | | | | | | | | HMB1250200 | 200 | 400 | 3,89 |
| HMB1200250 | 250 | 450 | 3,95 | | | | | | | | | | | HMB1250250 | 250 | 450 | 4,35 |
| HMB1200300 | 300 | 500 | 4,35 | | | | | | | | | | | HMB1250300 | 300 | 500 | 4,82 |
| HMB1200350 | 350 | 550 | 4,77 | | | | | | | | | | | HMB1250350 | 350 | 550 | 5,29 |
| HMB1200400 | 400 | 600 | 5,15 | | | | | | | | | | | HMB1250400 | 400 | 600 | 5,76 |
| HMB1200450 | 450 | 650 | 5,58 | | | | | | | | | | | HMB1250450 | 450 | 650 | 6,22 |
| HMB1200500 | 500 | 700 | 5,99 | | | | | | | | | | | HMB1250500 | 500 | 700 | 6,70 |
| | | | | | | | | | | | | | | HMB1250550 | 550 | 750 | 7,10 |
| | | | | | | | | | | | | | | HMB1250600 | 600 | 800 | 7,63 |
| ØD 60 ØAL 50 ØS 25 | | | | | | | | | | | | | | ØD 60 ØAL 50 ØS 30 | | | |
| HMB2250100 | 100 | 316 | 3,94 | | | | | | | | | | | | | | |
| HMB2250150 | 150 | 366 | 4,48 | | | | | | | | | | | HMB2300150 | 150 | 366 | 4,76 |
| HMB2250200 | 200 | 416 | 4,99 | | | | | | | | | | | HMB2300200 | 200 | 416 | 5,39 |
| HMB2250250 | 250 | 466 | 5,50 | | | | | | | | | | | HMB2300250 | 250 | 466 | 6,00 |
| HMB2250300 | 300 | 516 | 6,00 | | | | | | | | | | | HMB2300300 | 300 | 516 | 6,62 |
| HMB2250350 | 350 | 566 | 6,59 | | | | | | | | | | | HMB2300350 | 350 | 566 | 7,20 |
| HMB2250400 | 400 | 616 | 7,05 | | | | | | | | | | | HMB2300400 | 400 | 616 | 7,85 |
| HMB2250450 | 450 | 666 | 7,95 | | | | | | | | | | | HMB2300450 | 450 | 666 | 8,45 |
| HMB2250500 | 500 | 716 | 8,08 | | | | | | | | | | | HMB2300500 | 500 | 716 | 9,07 |
| HMB2250550 | 550 | 766 | 8,71 | | | | | | | | | | | HMB2300550 | 550 | 766 | 9,69 |
| HMB2250600 | 600 | 816 | 9,11 | | | | | | | | | | | HMB2300600 | 600 | 816 | 10,29 |
| | | | | | | | | | | | | | | HMB2300700 | 700 | 916 | 11,50 |
| HMB2250800 | 800 | 1016 | 11,36 | | | | | | | | | | | HMB2300800 | 800 | 1016 | 12,75 |
| HMB2251000 | 1000 | 1216 | 13,52 | | | | | | | | | | | HMB2301000 | 1000 | 1216 | 15,22 |
| ØD 70 ØAL 60 ØS 30 | | | | | | | | | | | | | | ØD 70 ØAL 60 ØS 35 | | | |
| HMB3300100 | 100 | 350 | 5,85 | | | | | | | | | | | HMB3350100 | 100 | 350 | 6,10 |
| HMB3300150 | 150 | 400 | 6,58 | | | | | | | | | | | HMB3350150 | 150 | 400 | 6,88 |
| HMB3300200 | 200 | 450 | 7,23 | | | | | | | | | | | HMB3350200 | 200 | 450 | 7,63 |
| HMB3300250 | 250 | 500 | 7,90 | | | | | | | | | | | HMB3350250 | 250 | 500 | 8,43 |
| HMB3300300 | 300 | 550 | 8,58 | | | | | | | | | | | HMB3350300 | 300 | 550 | 9,18 |
| HMB3300350 | 350 | 600 | 9,23 | | | | | | | | | | | HMB3350350 | 350 | 600 | 9,97 |
| HMB3300400 | 400 | 650 | 9,93 | | | | | | | | | | | HMB3350400 | 400 | 650 | 10,75 |
| HMB3300450 | 450 | 700 | 10,56 | | | | | | | | | | | HMB3350450 | 450 | 700 | 11,50 |
| HMB3300500 | 500 | 750 | 11,28 | | | | | | | | | | | HMB3350500 | 500 | 750 | 12,28 |
| HMB3300550 | 550 | 800 | 11,89 | | | | | | | | | | | HMB3350550 | 550 | 800 | 13,03 |
| HMB3300600 | 600 | 850 | 12,63 | | | | | | | | | | | HMB3350600 | 600 | 850 | 13,84 |
| HMB3300800 | 800 | 1050 | 15,29 | | | | | | | | | | | HMB3350800 | 800 | 1050 | 16,90 |
| HMB3301000 | 1000 | 1250 | 18,03 | | | | | | | | | | | HMB3351000 | 1000 | 1250 | 19,96 |



| Codice Code Bestell-Nr. | K | Z | kg | E BSP | ØP | H | V | M | H1 | V1 | M1 | Code A | Code B | Codice Code Bestell-Nr. | K | Z | kg |
|-----------------------------|------|------|-------|-------|----|----|----|----|-----|----|----|------------|------------|-----------------------------|------|------|-------|
| ØD 70 ØAL 60 ØS 40 | | | | | | | | | | | | | | ØD 73 ØAL 63 ØS 40 | | | |
| HMB3400200 | 200 | 450 | 8,28 | | | | | | | | | | | HMB063400200 | 200 | 450 | 8,64 |
| HMB3400250 | 250 | 500 | 9,17 | | | | | | | | | | | HMB063400250 | 250 | 500 | 9,54 |
| HMB3400300 | 300 | 550 | 10,06 | | | | | | | | | | | HMB063400300 | 300 | 550 | 10,44 |
| HMB3400350 | 350 | 600 | 10,93 | | | | | | | | | | | HMB063400350 | 350 | 600 | 11,34 |
| HMB3400400 | 400 | 650 | 11,82 | | | | | | | | | | | HMB063400400 | 400 | 650 | 12,24 |
| HMB3400450 | 450 | 700 | 12,67 | 3/8" | 25 | 64 | 20 | 45 | 55 | 23 | 45 | CSTS025C00 | CSTS025N00 | HMB063400450 | 450 | 700 | 13,14 |
| HMB3400500 | 500 | 750 | 13,55 | | | | | | | | | | | HMB063400500 | 500 | 750 | 14,04 |
| HMB3400550 | 550 | 800 | 14,48 | | | | | | | | | | | HMB063400550 | 550 | 800 | 14,94 |
| HMB3400600 | 600 | 850 | 15,33 | | | | | | | | | | | HMB063400600 | 600 | 850 | 15,84 |
| HMB3400800 | 800 | 1050 | 18,85 | | | | | | | | | | | HMB063400800 | 800 | 1050 | 19,54 |
| HMB3401000 | 1000 | 1250 | 22,43 | | | | | | | | | | | HMB063401000 | 1000 | 1250 | 23,14 |
| ØD 80 ØAL 70 ØS 35 | | | | | | | | | | | | | | ØD 80 ØAL 70 ØS 40 | | | |
| HMB4350100 | 100 | 350 | 7,13 | | | | | | | | | | | | | | |
| HMB4350150 | 150 | 400 | 7,99 | | | | | | | | | | | | | | |
| HMB4350200 | 200 | 450 | 8,78 | | | | | | | | | | | HMB4400200 | 200 | 450 | 9,32 |
| HMB4350250 | 250 | 500 | 9,64 | | | | | | | | | | | HMB4400250 | 250 | 500 | 10,30 |
| HMB4350300 | 300 | 550 | 10,44 | | | | | | | | | | | HMB4400300 | 300 | 550 | 11,28 |
| HMB4350350 | 350 | 600 | 11,30 | | | | | | | | | | | HMB4400350 | 350 | 600 | 12,24 |
| HMB4350400 | 400 | 650 | 12,04 | 3/8" | 25 | 64 | 20 | 45 | 55 | 23 | 45 | CSTS025C00 | CSTS025N00 | HMB4400400 | 400 | 650 | 13,84 |
| HMB4350450 | 450 | 700 | 12,92 | | | | | | | | | | | HMB4400450 | 450 | 700 | 14,15 |
| HMB4350500 | 500 | 750 | 13,64 | | | | | | | | | | | HMB4400500 | 500 | 750 | 15,05 |
| HMB4350550 | 550 | 800 | 14,70 | | | | | | | | | | | HMB4400550 | 550 | 800 | 16,14 |
| HMB4350600 | 600 | 850 | 15,24 | | | | | | | | | | | HMB4400600 | 600 | 850 | 17,03 |
| HMB4350800 | 800 | 1050 | 18,60 | | | | | | | | | | | HMB4400800 | 800 | 1050 | 20,77 |
| HMB4351000 | 1000 | 1250 | 22,30 | | | | | | | | | | | HMB4401000 | 1000 | 1250 | 24,55 |
| ØD 92 ØAL 80 ØS 40 | | | | | | | | | | | | | | ØD 92 ØAL 80 ØS 50 | | | |
| HMB5400200 | 200 | 482 | 12,67 | | | | | | | | | | | HMB5500200 | 200 | 482 | 13,94 |
| HMB5400250 | 250 | 532 | 13,81 | | | | | | | | | | | HMB5500250 | 250 | 532 | 15,32 |
| HMB5400300 | 300 | 582 | 14,94 | | | | | | | | | | | HMB5500300 | 300 | 582 | 16,74 |
| HMB5400400 | 400 | 682 | 17,15 | 1/2" | 30 | 73 | 22 | 51 | 65 | 28 | 51 | CSTS030C00 | CSTS030N00 | HMB5500400 | 400 | 682 | 19,54 |
| HMB5400500 | 500 | 782 | 19,36 | | | | | | | | | | | HMB5500500 | 500 | 782 | 22,30 |
| HMB5400600 | 600 | 882 | 21,57 | | | | | | | | | | | HMB5500600 | 600 | 882 | 25,59 |
| HMB5400800 | 800 | 1082 | 26,09 | | | | | | | | | | | HMB5500800 | 800 | 1082 | 31,09 |
| HMB5401000 | 1000 | 1282 | 30,51 | | | | | | | | | | | HMB5501000 | 1000 | 1282 | 36,59 |
| ØD 105 ØAL 90 ØS 50 | | | | | | | | | | | | | | | | | |
| HMB090500300 | 300 | 624 | 23,26 | | | | | | | | | | | | | | |
| HMB090500400 | 400 | 724 | 26,60 | | | | | | | | | | | | | | |
| HMB090500500 | 500 | 824 | 29,93 | 1/2" | 40 | 92 | 28 | 69 | 100 | 35 | 69 | CSTS040C00 | CSTS040N00 | | | | |
| HMB090500600 | 600 | 924 | 33,26 | | | | | | | | | | | | | | |
| HMB090500800 | 800 | 1124 | 39,93 | | | | | | | | | | | | | | |
| HMB090501000 | 1000 | 1324 | 46,60 | | | | | | | | | | | | | | |
| ØD 115 ØAL 100 ØS 50 | | | | | | | | | | | | | | ØD 115 ØAL 100 ØS 60 | | | |
| HMB6500200 | 200 | 548 | 23,47 | | | | | | | | | | | | | | |
| HMB6500250 | 250 | 598 | 25,47 | | | | | | | | | | | | | | |
| HMB6500300 | 300 | 648 | 26,97 | | | | | | | | | | | HMB6600300 | 300 | 648 | 29,47 |
| HMB6500400 | 400 | 748 | 30,47 | 1/2" | 40 | 92 | 28 | 69 | 100 | 35 | 69 | CSTS040C00 | CSTS040N00 | HMB6600400 | 400 | 748 | 33,47 |
| HMB6500500 | 500 | 848 | 33,97 | | | | | | | | | | | HMB6600500 | 500 | 848 | 37,47 |
| HMB6500600 | 600 | 948 | 37,47 | | | | | | | | | | | HMB6600600 | 600 | 948 | 41,47 |
| HMB6500800 | 800 | 1148 | 44,47 | | | | | | | | | | | HMB6600800 | 800 | 1148 | 49,97 |
| HMB6501000 | 1000 | 1348 | 51,47 | | | | | | | | | | | HMB6601000 | 1000 | 1348 | 58,47 |

MATERIALE - MATERIAL:
 TUBO - TUBE - ROHR: ACCIAIO - STEEL - STAHL St 52.3 DIN 2393 ISO H9
 STELO - ROD - KOLBENSTANGE:
 ACCIAIO - STEEL - STAHL UNI C45 SAE 1045 - CROMO - CHROME - CHROM: 25 MICRON ±5 Rating 9/120 h ISO 10289 - 1999/ISO 9227-NSS