

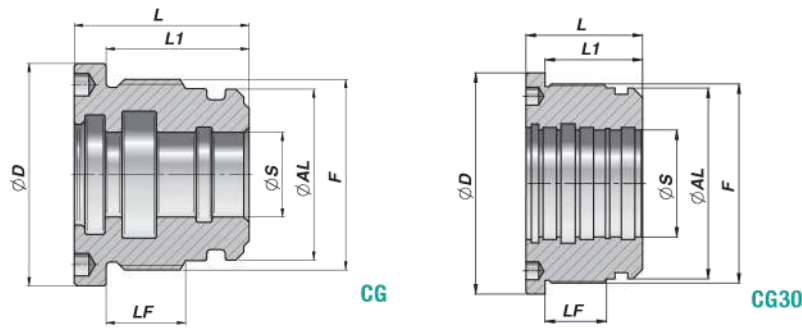
Codice Code Bestell-Nr.	ØAL	ØS	ØD	F	LF	L	L1	kg	Confezione Box Verpackung	Pz Pcs Stk	Set guarnizioni Seal kits Dichtsätze
*CG03502516	25	16	35	M28x1,5	12	30	-	0,04	Z00CG03502516	100	GKGG025016
*CG04003016	30	16	40	M34x1,5	15	33	27	0,17	Z50CG04003016	50	GKGG030016
*CG04203216	32	16	42	M36x1,5	15	33	27	0,18	Z50CG04203216	50	GKGG032016
CG04203220	32	20	"	"	"	"	"	0,17	Z50CG04203220	50	GKGG032020
CG04503520	35	20	44	M39x1,5	19	40	32	0,19	Z50CG04503520	50	GKGG035020
CG04503522	35	22	"	"	"	"	"	0,17	Z50CG04503522	50	GKGG035022
CG05004020	40	20	49	M44x1,5	19	40	32	0,28	Z50CG05004020	50	GKGG040020
CG05004022	40	22	"	"	"	"	"	0,26	Z50CG05004022	50	GKGG040022
CG05004025	40	25	"	"	"	"	"	0,23	Z50CG05004025	50	GKGG040025
NEW! CG05004028	40	28	"	"	"	"	"	0,20	Z50CG05004028	50	GKGG040028
CG05504522	45	22	54	M49x1,5	19	40	32	0,36	Z25CG05504522	25	GKGG045022
CG05504525	45	25	"	"	"	"	"	0,33	Z25CG05504525	25	GKGG045025
CG06005020	50	20	59	M54x1,5	22	43	35	0,53	Z25CG06005020	25	GKGG050020
CG06005025	50	25	"	"	"	"	"	0,46	Z25CG06005025	25	GKGG050025
CG06005030	50	30	"	"	"	"	"	0,39	Z25CG06005030	25	GKGG050030
NEW! CG06005032	50	32	"	"	"	"	"	0,40	Z25CG06005032	25	GKGG050032
NEW! CG06005135	50	35	"	"	"	"	"	0,30	Z25CG06005135	25	GKGG051035
**CG06005035	50	35	"	"	17	38	30	0,29	Z25CG06005035	25	GKGG050035
CG06505525	55	25	64	M60x1,5	21	43	35	0,68	Z25CG06505525	25	GKGG055025
CG06505530	55	30	"	"	"	"	"	0,54	Z25CG06505530	25	GKGG055030
CG06505535	55	35	"	"	"	"	"	0,45	Z25CG06505535	25	GKGG055035
CG07006025	60	25	69	M64x1,5	27	50	40	0,95	Z25CG07006025	25	GKGG060025
CG07006030	60	30	"	"	"	"	"	0,80	Z25CG07006030	25	GKGG060030
CG07006035	60	35	"	"	"	"	"	0,70	Z25CG07006035	25	GKGG060035
CG07006040	60	40	"	"	"	"	"	0,60	Z25CG07006040	25	GKGG060040
CG07306330	63	30	73	M68x1,5	25	50	40	1,08	Z20CG07306330	20	GKGG063030
NEW! CG07306332	63	32	"	"	"	"	"	0,90	Z20CG07306332	20	GKGG063032
CG07306335	63	35	"	"	"	"	"	0,98	Z20CG07306335	20	GKGG063035
NEW! CG07306336	63	36	"	"	"	"	"	0,80	Z20CG07306336	20	GKGG063036
CG07306340	63	40	"	"	"	"	"	0,62	Z20CG07306340	20	GKGG063040
CG07506530	65	30	74	M69x1,5	25	50	40	1,25	Z20CG07506530	20	GKGG065030
CG07506535	65	35	"	"	"	"	"	1,11	Z20CG07506535	20	GKGG065035
CG07506540	65	40	"	"	"	"	"	0,98	Z20CG07506540	20	GKGG065040
CG07506545	65	45	"	"	"	"	"	0,72	Z20CG07506545	20	GKGG065045
CG08007025	70	25	79	M74x1,5	27	50	40	1,30	Z20CG08007025	20	GKGG070025
CG08007030	70	30	"	"	"	"	"	1,17	Z20CG08007030	20	GKGG070030
CG08007035	70	35	"	"	"	"	"	1,06	Z20CG08007035	20	GKGG070035
CG08007040	70	40	"	"	"	"	"	0,94	Z20CG08007040	20	GKGG070040
CG08007045	70	45	"	"	"	"	"	0,76	Z20CG08007045	20	GKGG070045
CG08007050	70	50	"	"	"	"	"	0,66	Z20CG08007050	20	GKGG070050
CG09007530	75	30	89	M80x2	33	60	50	1,72	Z10CG09007530	10	GKGG075030
CG09007535	75	35	"	"	"	"	"	1,62	Z10CG09007535	10	GKGG075035
CG09007540	75	40	"	"	"	"	"	1,46	Z10CG09007540	10	GKGG075040
CG09007545	75	45	"	"	"	"	"	1,33	Z10CG09007545	10	GKGG075045
CG09508030	80	30	94	M85x2	33	60	50	2,25	Z10CG09508030	10	GKGG080030
CG09508035	80	35	"	"	"	"	"	1,88	Z10CG09508035	10	GKGG080035
CG09508040	80	40	"	"	"	"	"	1,73	Z10CG09508040	10	GKGG080040

\*\* CG06005035: NON CONFORME PER "STL" STANDARD  
 \*\* CG06005035: NOT SUITABLE FOR STANDARD "STL"  
 \*\* CG06005035: FÜR STANDARD "STL" NICHT GEEIGNET

La versione a 2 fori frontali è disponibile da ØAL.30 a ØAL.100 fino ad esaurimento scorte.  
 The version with 2 front holes is available from ØAL.30 to ØAL.100 till stock lasts.  
 Die Ausführung mit 2 Bohrungen vorne ist vom ØAL.30 bis ØAL.100 solange der Vorrat reicht verfügbar.

GUARNIZIONI: VEDI PAGINA 90-91  
 SEALS: SEE PAGE 90-91  
 DICHTUNGEN: SIEHE SEITE 90-91





Codice Code Bestell-Nr.	ØAL	ØS	ØD	F	LF	L	L1	kg	Confezione Box Verpackung	Pz Pcs Sük	Set guarnizioni Seal kits Dichtsätze
CG09508045	80	45	94	M85x2	33	60	50	1,58	Z10CG09508045	10	GKGC080045
CG09508050	80	50	"	"	"	"	"	1,42	Z10CG09508050	10	GKGC080050
CG09508055	80	55	"	"	"	"	"	1,40	Z10CG09508055	10	GKGC080055
CG09508060	80	60	"	"	"	"	"	1,38	Z10CG09508060	10	GKGC080060
CG10008535	85	35	99	M90x2	33	60	50	2,15	Z10CG10008535	10	GKGC085035
CG10008540	85	40	"	"	"	"	"	2,00	Z10CG10008540	10	GKGC085040
CG10008545	85	45	"	"	"	"	"	1,85	Z10CG10008545	10	GKGC085045
CG10008550	85	50	"	"	"	"	"	1,67	Z10CG10008550	10	GKGC085050
CG10509040	90	40	104	M95x2	33	60	50	2,31	Z05CG10509040	5	GKGC090040
CG10509045	90	45	"	"	"	"	"	2,16	Z05CG10509045	5	GKGC090045
CG10509050	90	50	"	"	"	"	"	1,99	Z05CG10509050	5	GKGC090050
CG10509060	90	60	"	"	"	"	"	1,57	Z05CG10509060	5	GKGC090060
CG11510040	100	40	114	M105x2	51	82	70	4,14	Z05CG11510040	5	GKGC100040
<b>NEW!</b> CGMM114100040	100	40	"	"	30	65	55	3,20	Z05CGMM114100040	5	GKGCMM100040
CG11510045	100	45	"	"	51	82	70	3,94	Z05CG11510045	5	GKGC100045
CG11510050	100	50	"	"	"	"	"	3,71	Z05CG11510050	5	GKGC100050
<b>NEW!</b> CGMM114100050	100	50	"	"	30	65	55	2,90	Z05CGMM114100050	5	GKGCMM100050
CG11510055	100	55	"	"	51	82	70	3,68	Z05CG11510055	5	GKGC100055
CG11510060	100	60	"	"	"	"	"	3,13	Z05CG11510060	5	GKGC100060
<b>NEW!</b> CGMM114100060	100	60	"	"	30	65	55	2,40	Z05CGMM114100060	5	GKGCMM100060
<b>NEW!</b> CG11510063	100	63	"	"	51	82	70	3,00	Z05CG11510063	5	GKGC100063
<b>NEW!</b> CGMM114100063	100	63	"	"	30	65	55	2,30	Z05CGMM114100063	5	GKGCMM100063
CG11510070	100	70	"	"	51	82	70	3,08	Z05CG11510070	5	GKGC100070
<b>NEW!</b> CGMM114100070	100	70	"	"	30	65	55	1,90	Z05CGMM114100070	5	GKGCMM100070
CG12511045	110	45	124	M115x2	41	72	60	4,60			GKGC110045
CG12511050	110	50	"	"	"	"	"	4,40			GKGC110050
CG12511060	110	60	124	M115x2	51	82	70	4,90			GKGC110060
CG12511070	110	70	"	"	"	"	"	4,70			GKGC110070
CG14012050	120	50	139	M125x2	49	82	70	6,37			GKGC120050
CG14012060	120	60	"	"	"	"	"	5,30			GKGC120060
CG14012070	120	70	"	"	"	"	"	4,57			GKGC120070
<b>NEW!</b> CG14012080	120	80	"	"	"	"	"	4,00			GKGC120080
CG14512560	125	60	144	M130x2	59	92	80	6,63			GKGC125060
CG14512570	125	70	"	"	"	"	"	5,83			GKGC125070
CG14512580	125	80	"	"	"	"	"	5,20			GKGC125080
<b>NEW!</b> CG14512590	125	90	"	"	"	"	"	4,20			GKGC125090
CG16014070	140	70	159	M145x2	59	92	80	9,12			GKGC140070
CG16014080	140	80	"	"	"	"	"	8,40			GKGC140080
CG17015070	150	70	169	M155x2	69	102	90	10,58			GKGC150070
CG17015080	150	80	"	"	"	"	"	9,75			GKGC150080
CG18016080	160	80	179	M165x2	69	102	90	13,10			GKGC160080
CG18016090	160	90	"	"	"	"	"	12,07			GKGC160090
CG30180100	180	100	210	M188x2,5	58	110	92	15,82			GKGC3180100
CG30180120	180	120	"	"	"	"	"	12,65			GKGC3180120
CG30200100	200	100	218	M208x2,5	58	110	92	20,59			GKGC3200100
CG30200120	200	120	"	"	"	"	"	17,40			GKGC3200120
CG30250120	250	120	268	M258x2,5	80	135	117	40,00			GKGC3250120
CG30250150	250	150	"	"	"	"	"	33,00			GKGC3250150

MATERIALE - MATERIAL:  
GHISA OLEODINAMICA - HYDRAULIC CAST IRON - HYDRAULIKGUSS UNI 5007-G25  
\* ALLUMINIO - ALUMINIUM UNI 2011-115

La versione a 2 fori frontali è disponibile da ØAL.30 a ØAL.100 fino ad esaurimento scorte.  
The version with 2 front holes is available from ØAL.30 to ØAL.100 till stock lasts.  
Die Ausführung mit 2 Bohrungen vorne ist vom ØAL.30 bis ØAL.100 solange der Vorrat reicht verfügbar.

GUARNIZIONI: VEDI PAGINA 90-91  
SEALS: SEE PAGE 90-91  
DICHTUNGEN: SIEHE SEITE 90-91

CGMM: NON CONFORME PER "STL" STANDARD  
CGMM: NOT SUITABLE FOR STANDARD "STL"  
CGMM: FÜR STANDARD "STL" NICHT GEEIGNET