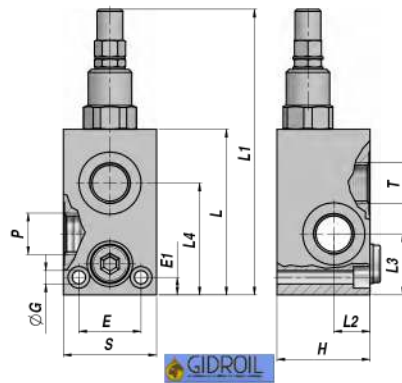
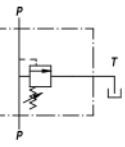


VMP



GIDROIL



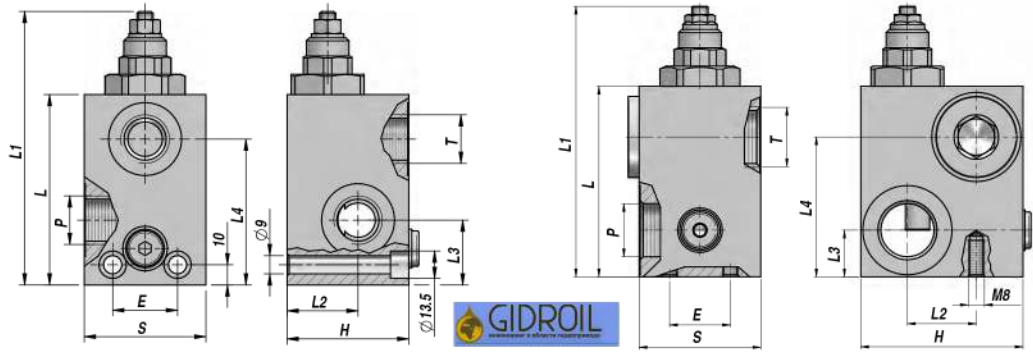
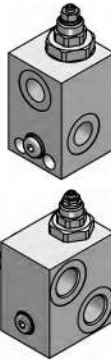
Codice Code Bestell-Nr.	P BSP	T BSP	Q MAX l/min	P MAX bar	Tipo Type Typ	L	L1	L2	L3	L4	ØG	E	E1	H	S	kg
V0120.0006	3/8"	3/8"	45	300	VMP 3/8" C	72	134	15	26	49,5	6,5	26	8,5	40	40	0,82
V0120.0008	1/2"	1/2"	70	300	VMP 1/2" C	77	139	17,5	29,5	54	6,5	30	8,5	45	45	1,06
V0120.0012	3/4"	3/4"	120	300	VMP 3/4" C	92	154	17,5	35	68	8,5	32	10	50	50	1,47

MOLLA - SPRING - FEDER: A = 10:50 bar - B = 20:100 bar - C = 10:180 bar (Standard) - D = 50:250 bar - E = 80:300 bar

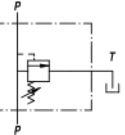
MONTAGGIO IN LINEA
LINE MOUNTING
REIHENMONTAGE

MATERIALE - MATERIAL: ACCIAIO - STEEL - STAHL

VMPP



GIDROIL



VMPP 3/4" P

VMPP 1" P

Codice Code Bestell-Nr.	P BSP	T BSP	Q MAX l/min	P MAX bar	Tipo Type Typ	L	L1	L2	L3	L4	E	H	S	kg
V0120.3512	3/4"	3/4"	120	350	VMPP 3/4" P	94	135	35	32	72	32	60	60	2,20
V0120.3516	1"	1"	180	350	VMPP 1" P	94	135	34	23	69	30	80	60	3,00

MOLLA - SPRING - FEDER: N = 20:200 bar - P = 50:400 bar (Standard)

MONTAGGIO IN LINEA
LINE MOUNTING
REIHENMONTAGE

MATERIALE - MATERIAL: ACCIAIO - STEEL - STAHL